

Universal panel support using an EnvisaLink4 or DUO

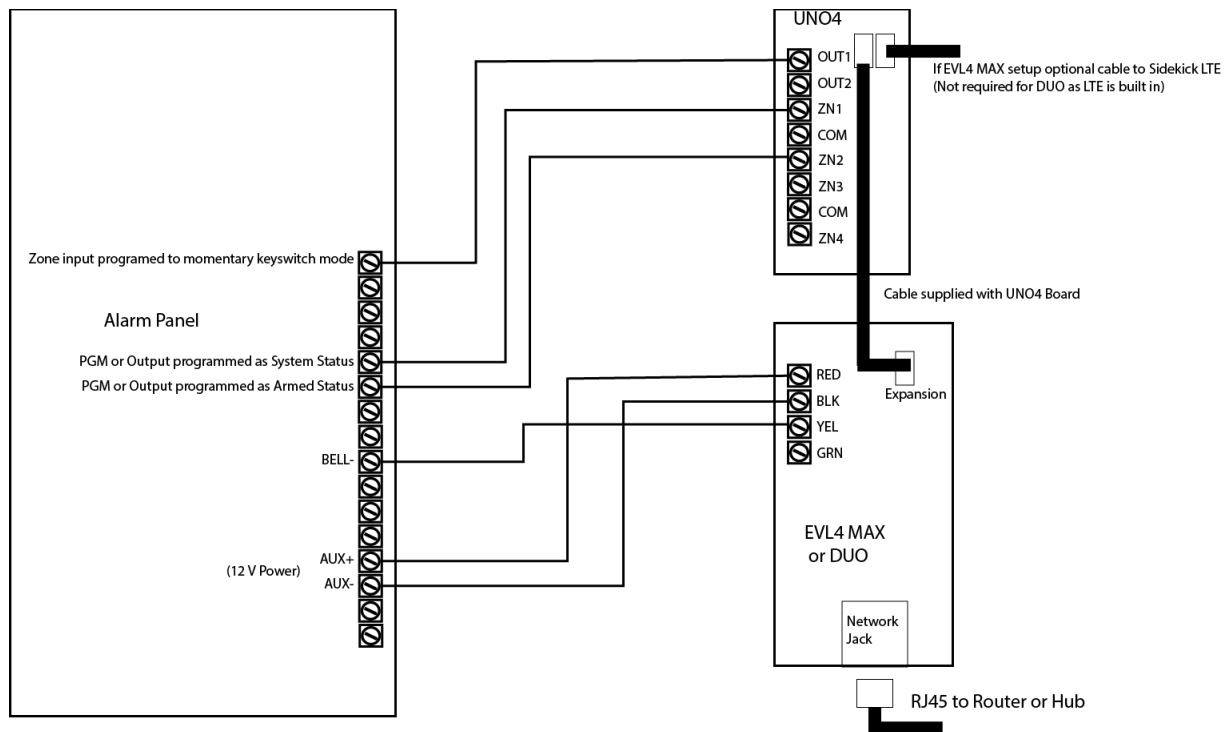
While the EnvisaLink 4 (EVL4 or C2GIP) and the DUO IP/LTE offer high-levels of functionality when bus-connected with a compatible DSC PowerSeries panel or Honeywell Vista panel, they can be used with other systems in a more limited **Universal** mode.

Both the EVL4 (in Universal mode) and the DUO (in Universal mode), when combined with an UNO4 expansion board, can be used to receive signals from outputs on a panel and use the 2 UNO4 outputs to allow for simple arming/disarming functionality.

When you activate the device in your dealer portal choose either **EVL4 UNIVERSAL** or **DUO UNIVERSAL** from the dropdown menu. It will then have two modes of operation supported, depending on whether you have access to the panel programming or not:

1. **Alarms/System Status/Arming/Disarming Control** – (ability to program the panel required) See Figure 1 for wiring connections. (See programming options with **DSC NEO** example on the following page). This option gives In-App status and arm/disarm control.
2. **Report Alarms Only:** (no panel programming required) With this option you would connect the Bell- output to the YEL on the EVL4 or DUO device. A steady voltage is detected as a burglary signal and a pulsed voltage is detected as a fire signal. This can be installed in parallel with the siren and you may also need to place a 1K resistor in parallel to prevent false alarms when using panels with supervisory voltage on the bell circuit.

Figure 1



Panel Programming

For example, on a **DSC NEO** panel you would set:
 PGM1 to option 114 and connect it to Zone 1 on the UNO4.
 PGM2 to option 115 and connect it to Zone 2 on the UNO4.

OUT1 on the UNO4 to a DSC NEO zone with Type Option 066 Momentary Keyswitch Arm.

Also turn on Option 8 in Section 22 to set the Keyswitch Arm to always go to Arm Away.

Most panels will have similar options.

WARNING: If Auto Arm Feature is used on the Panel, Do Not Active the Siren Squawk Option. False Fire Alarm will result.

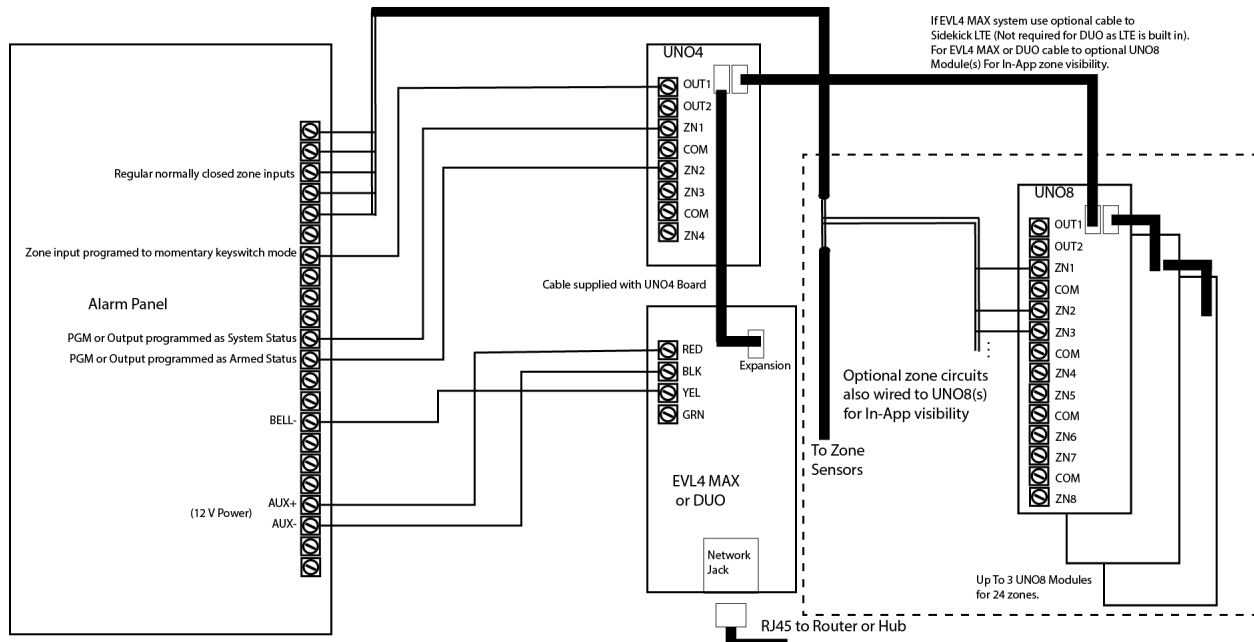
NOTE : If EOL resistors are selected, the Momentary Keyswitch Zone also requires an EOL resistor.

Optional Zone Status

If your customers would also like to see zone status (as they do on our bus-connected solutions), it is possible to use up to 3 UNO8 modules and wire the zone circuits in parallel with the circuits connected to the Alarm panel to display the status of up to 24 zones in the app.

See the optional section on the right side of Figure 2. (Normally closed circuits only). The first zone on the UNO8 addressed 9-16 will be mapped to appear as Zone 1 in the app and so on up to 24.

Figure 2



DUO with LTE Primary

To run a DUO with LTE as the only communications path you must hook up the DUO to an IP network initially (could be at your office before going to the customer site) to do any firmware updates and configure settings like monitoring. After that the device can be transferred to the customer site to run LTE only.